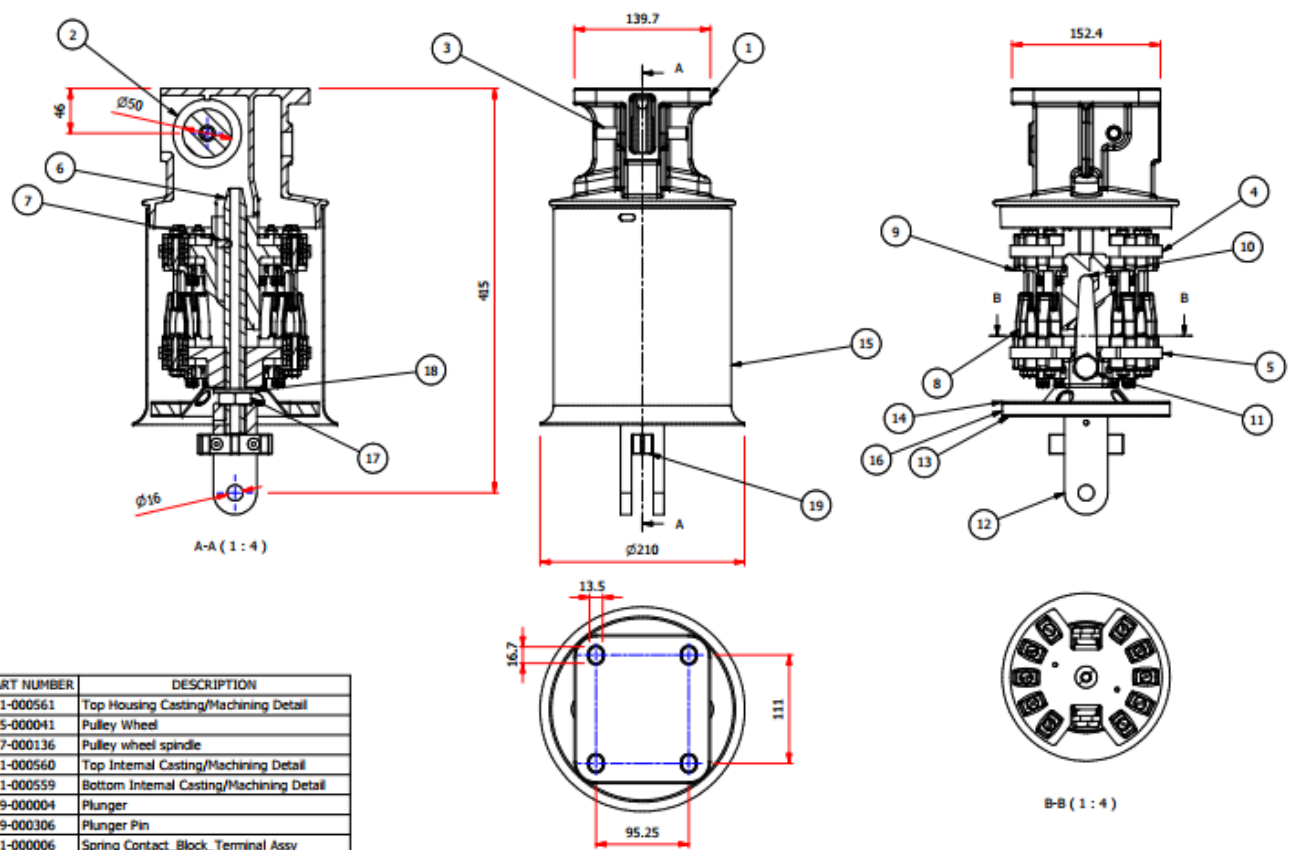


H5 Unit Technical Drawing



TEM	QTY	PART NUMBER	DESCRIPTION
1	1	011-000561	Top Housing Casting/Machining Detail
2	1	555-000041	Pulley Wheel
3	1	017-000136	Pulley wheel spindle
4	1	011-000560	Top Internal Casting/Machining Detail
5	1	011-000559	Bottom Internal Casting/Machining Detail
6	1	549-000004	Plunger
7	1	539-000306	Plunger Pin
8	10	111-000006	Spring Contact_Block_Terminal Assy
9	10	111-000010	Knife Contact_Block_Terminal Assy
10	2	079-000069	Locking Pawl
11	2	539-000305	Pawl Lock Pivot Pin
12	1	664-000011	Shackle
13	1	544-002012	Bottom Closure Plate
14	1	544-002013	Top Closure Plate
15	1	055-000112	Outer Cover Cylinder
16	1	174-000037	Felt ring 172mm Dia x 12mm thick
17	1	250-000071	7/8" UNC Nut Grade 8 BZP
18	1	761-24A002	M24 Plain Washer(Form A)BZP
19	1	091-000048	Rooce clamp assembly

<small>PLEASE REFER TO OTHERS, GENERAL TOLERANCES TO ISO 2768-TS UNLESS SPECIFIED OTHERWISE. DIMENSIONS ARE IN MILLIMETERS UNLESS OTHERWISE SPECIFIED TO THE CONTRARY. ALL DIMENSIONS ARE UNLESS OTHERWISE SPECIFIED TO BE USED.</small>		Drawn by: T.Brocklehurst	Checked by:	Approved by - Date	Design Date Work In Progress Date 01/11/2016	Dimensions mm																														
<table border="1"> <thead> <tr> <th>DIMENSION</th> <th>HATCHED</th> <th>UNHATCHED</th> </tr> </thead> <tbody> <tr><td>UP TO 3</td><td>± 0.1</td><td></td></tr> <tr><td>OVER 3 UP TO 6</td><td>± 0.1</td><td>± 0.3</td></tr> <tr><td>OVER 6 UP TO 30</td><td>± 0.2</td><td>± 1.0</td></tr> <tr><td>OVER 30 UP TO 120</td><td>± 0.3</td><td>± 1.5</td></tr> <tr><td>OVER 120 UP TO 400</td><td>± 0.5</td><td>± 2.5</td></tr> <tr><td>OVER 400 UP TO 1000</td><td>± 0.8</td><td>± 4.0</td></tr> <tr><td>OVER 1000 UP TO 2000</td><td>± 1.2</td><td>± 6.0</td></tr> <tr><td>OVER 2000 UP TO 4000</td><td>± 2.0</td><td>± 8.0</td></tr> <tr><td>ANGULAR</td><td>± 0.1°</td><td>± 1.0°</td></tr> </tbody> </table>		DIMENSION	HATCHED	UNHATCHED	UP TO 3	± 0.1		OVER 3 UP TO 6	± 0.1	± 0.3	OVER 6 UP TO 30	± 0.2	± 1.0	OVER 30 UP TO 120	± 0.3	± 1.5	OVER 120 UP TO 400	± 0.5	± 2.5	OVER 400 UP TO 1000	± 0.8	± 4.0	OVER 1000 UP TO 2000	± 1.2	± 6.0	OVER 2000 UP TO 4000	± 2.0	± 8.0	ANGULAR	± 0.1°	± 1.0°	Title: H5 Contact Suspension Unit General Assembly Assembly 500kg MWL		Customer ref.	Part Number 111-000021	Part Name Assembly
DIMENSION	HATCHED	UNHATCHED																																		
UP TO 3	± 0.1																																			
OVER 3 UP TO 6	± 0.1	± 0.3																																		
OVER 6 UP TO 30	± 0.2	± 1.0																																		
OVER 30 UP TO 120	± 0.3	± 1.5																																		
OVER 120 UP TO 400	± 0.5	± 2.5																																		
OVER 400 UP TO 1000	± 0.8	± 4.0																																		
OVER 1000 UP TO 2000	± 1.2	± 6.0																																		
OVER 2000 UP TO 4000	± 2.0	± 8.0																																		
ANGULAR	± 0.1°	± 1.0°																																		
PennyHydraulics GROUP <small>©2016 This drawing is the property of Penny Hydraulics Limited and must not be copied or used in any way without the prior written permission in obtained from the Company.</small>		Station Rd, Clowne, Chesterfield, S43 4AB Tel: +44 (0) 1246 811475 Fax: +44 (0) 1246 816403 Email: sales@pennyhydraulics.com Web: www.pennyhydraulics.com		Edition A	Sheet 1 of 1																															

For further information contact:

Penny Hydraulics Ltd
Station Road Industrial Estate
Station Road
Clowne
Chesterfield S43 4AB
sales@pennyhydraulics.com +44 (0) 1246 811475