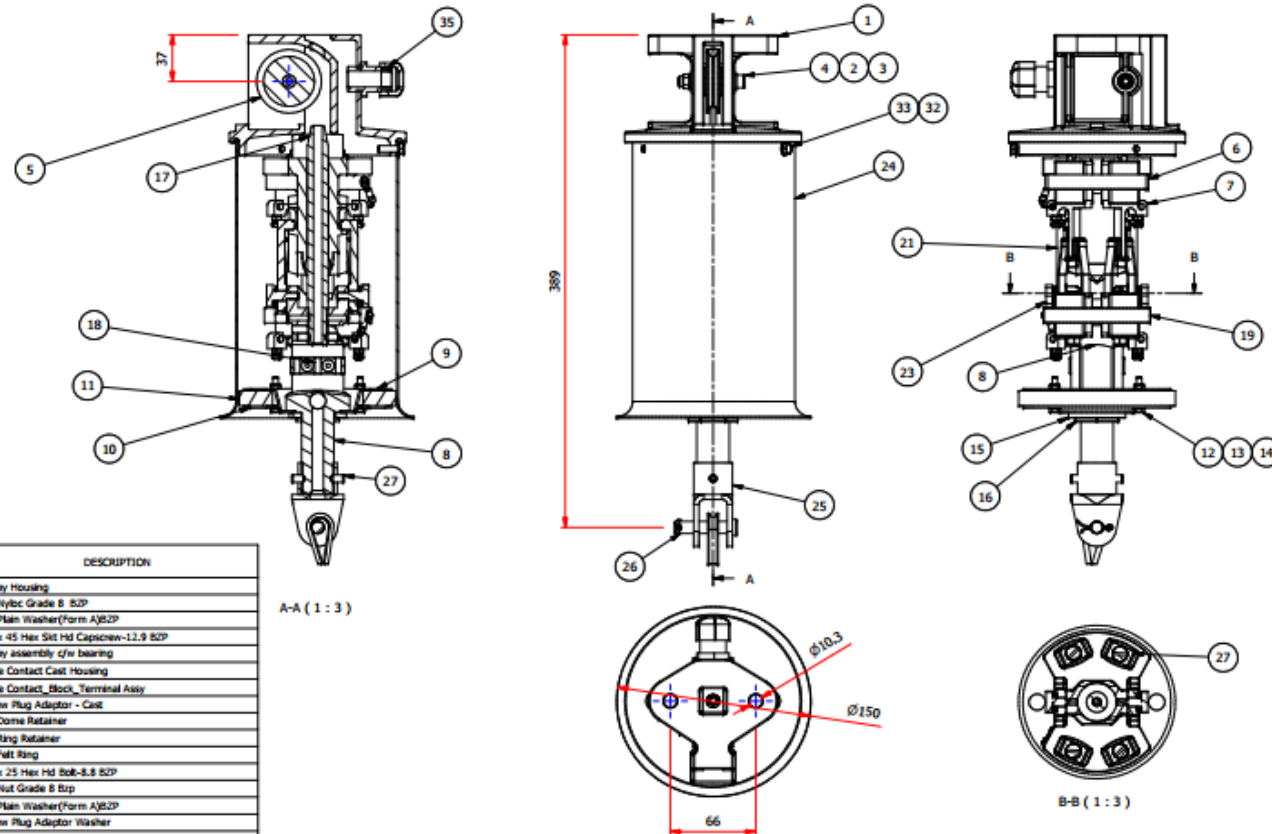


AG Unit Technical Specification



ITEM	QTY	PART NUMBER	DESCRIPTION
1	1	052-000472	Pulley Housing
2	1	253-062802	M6 Nyloc Grade 8 B2P
3	2	761-064002	M6 Plain Washer(Form A)B2P
4	1		M6 x 45 Hex Slt Hd Capscrew-12.9 B2P
5	1	555-000057	Pulley assembly c/w bearing
6	1	052-000471	Knife Contact Cast Housing
7	4	111-000010	Knife Contact_Block_Terminal Assy
8	1	310-000008	Screw Plug Adaptor - Cast
9	1	639-000051	AG Dome Retainer
10	1	639-000052	AG Ring Retainer
11	1	174-000077	AG Felt Ring
12	4		M4 x 25 Hex Hd Bolt-8.8 B2P
13	4	251-040802	M4 Nut Grade 8 B2P
14	4	761-044002	M4 Plain Washer(Form A)B2P
15	1		Screw Plug Adaptor Washer
16	1	250-000045	Screw Plug Adaptor Nut
17	1	549-000002	Plunger Assy
18	1	091-000074	Rope clamp assembly 4mm
19	1	052-000470	Spring Contact Cast Housing
20	4	111-000006	Spring Contact_Block_Terminal Assy
21	2	079-000047	AG Locking Pin
22	2	760-000064	Panel Spring Washer
23	2	539-000237	Panel Pivot Pin
24	1	055-000069	AG Cover
25	1	094-000077	Clevis - Weldment
26	1	539-000229	Clevis Pin
27	2	470-061003	Hex.Slt.Cone Point Grubscrew- M6 x 10 Black
28	1	167-000062	Cable Gland Assy

A-A (1 : 3)

B-B (1 : 3)

UNLESS SPECIFIC OTHERWISE, GENERAL TOLERANCES TO APPLY ARE: DIMENSIONS IN MILLIMETERS DIMENSIONS IN INCHES		Drawn By: T.Brocklehurst	Checked By:	Approved By - Date:	Design State Work In Progress	Date 24/02/2017	Dimension mm
DIMENSION		FINISHED	UNFINISHED	Title: R&L - AG Unit AG Contact Unit Full Assy AG Contact Unit MWL 100kg			
UP TO 3		± 0.1	± 0.2	PennyHydraulics GROUP			
OVER 3 UP TO 6		± 0.1	± 0.2	Station Rd, Clowne, Chesterfield, S43 4AB			
OVER 6 UP TO 25		± 0.1	± 1.0	Customer Ref: 111-000014.iam			
OVER 25 UP TO 120		± 0.1	± 1.5	Part No: 111-000014			
OVER 120 UP TO 400		± 0.1	± 1.5	Reference			
OVER 400 UP TO 1000		± 0.2	± 2.0	Edition A			
OVER 1000 UP TO 2000		± 1.1	± 3.0	Sheet 1 of 1			
OVER 2000 UP TO 4000		± 2.0	± 5.0				
ANGLES		± 0.1°	± 1.0°	©2016 This drawing is the property of Penny Hydraulics Limited and must not be copied or reproduced in part or in whole without prior written permission in obtained from the Company. Tel: +44 (0) 1246 811475 Fax: +44 (0) 1246 810403 Email: sales@pennyhydraulics.com Web: www.pennyhydraulics.com			

For further information contact:

Penny Hydraulics Ltd
Station Road Industrial Estate
Station Road
Clowne
Chesterfield
S43 4AB

sales@pennyhydraulics.com +44 (0) 1246 811475