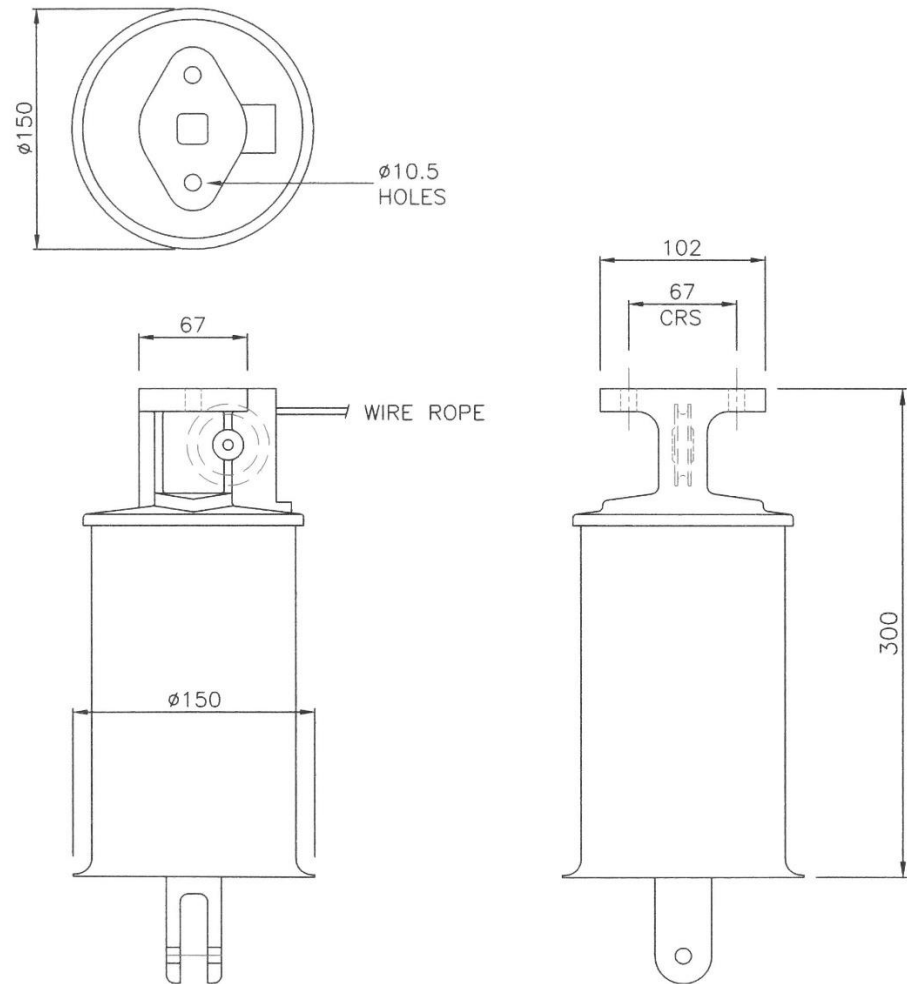


### AG Unit Technical Drawing



For further information contact:

Penny Hydraulics Ltd  
Station Road Industrial Estate  
Station Road  
Clowne  
Chesterfield S43 4AB  
[sales@pennyhydraulics.com](mailto:sales@pennyhydraulics.com) +44 (0) 1246 811475