

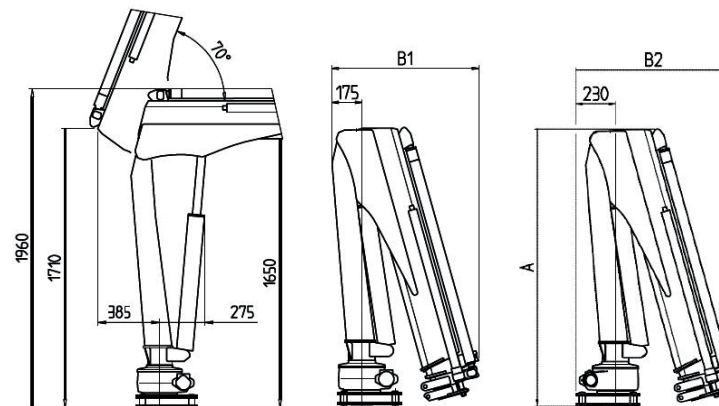
PH380.4

| TECHNICAL DATA | PH380.4 |
|--|-----------------|
| Lifting capacity | 37kNm |
| Max. lifting height from crane base | 7000mm |
| Max. working slope | 5° |
| Max. working pressure | 220bar |
| Suggested oil flow | 12-15l per min. |
| Electro-hydraulic power unit supply voltage | 12V/24V |
| Max. absorption electro-hydraulic power unit (12V) | 260A |
| Max. absorption electro-hydraulic power unit (24V) | 160A |
| Hydraulic oil tank capacity (H version) | 15l |
| Hydraulic oil tank capacity (electric version) | 11l |

| CRANE WEIGHTS | kg |
|----------------------------------|---------|
| PH380.4 | 375-395 |
| Base with extendable stabilisers | 158-160 |

DIMENSIONS

| CRANE | A | B1 | B2 |
|----------|------|-----|-----|
| PH 380.4 | 1650 | 940 | 990 |



| 380.4 | D | | | | | |
|-------|------|------|------|------|------|------|
| mm | 1590 | 2690 | 3790 | 4790 | 5790 | 6790 |
| kg | 2400 | 1400 | 980 | 760 | 630 | 500 |
| * | 990 | 990 | 980 | 760 | 630 | 500 |

Hydraulic extension
 Standard manual extension
 B/C/D Optional manual extension
 * "D" version



Penny Hydraulics Limited

Station Road | Clowne | Chesterfield | Derbyshire | S43 4AB | United Kingdom
 t +44 (0) 1246 811475 | f +44 (0) 1246 810403

w www.pennyhydraulics.com | e sales@pennyhydraulics.com