



When you need more

### Features

- Lifts 500kg in all configurations of boom position
- Remote control
- Easily demountable
- Low crane weight from 44kg (pillar is extra)
- Above or below floor socket mounting for pickups
- Overload protection
- Compact design folds away when not in use
- Manual boom extension with three height settings
- Easily installed at our own premises, on site or by a vehicle body builder

**A medium duty electric crane for pickups, dropsides, flatbeds and vans.**

### Options

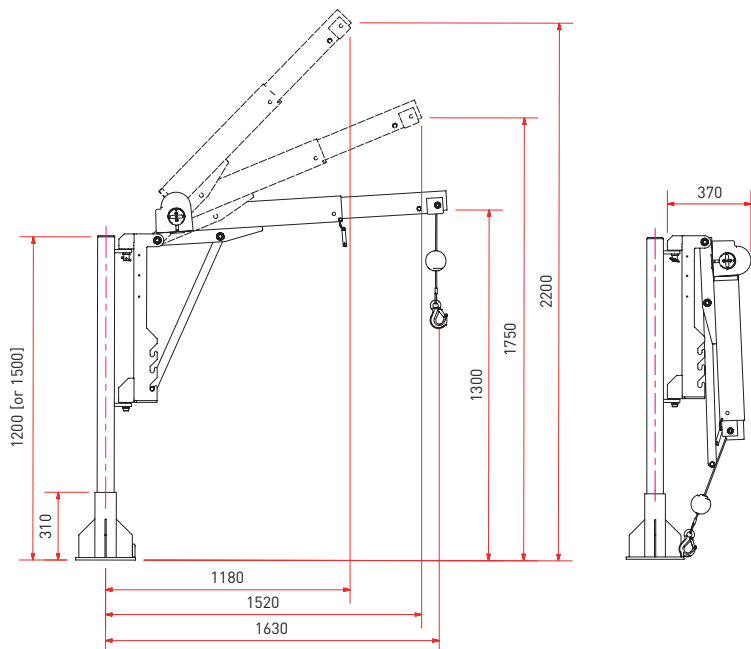
- 12v or 24v operation from vehicle battery
- Fitting kit
- Extra rope length up to 12m/40'
- Manual stabiliser leg
- Radio remote control
- Additional pillar height
- Battery protection
- Lifting accessory kit



### Applications

- Construction
- Utilities & waste management
- Fire & rescue

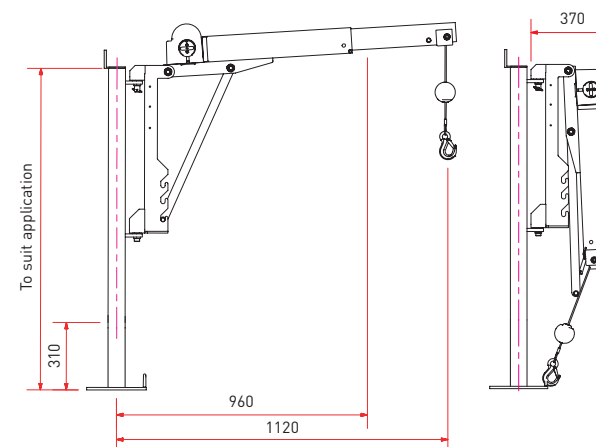
ML500 pickup, dropside & flatbed type



#### Weights & measurements

Crane section	48kg
Pillar	18 or 22kg
Socket	17kg
Support leg	8kg
Corner bracket	5.5kg
Rope length	6m (20') standard
Rating	0.8 tonne metres

ML500 van type



#### Weights & measurements

Crane section	44kg
Pillar	38kg
Support leg	8kg
Rope length	6m (20') standard
Rating	0.8 tonne metres

Please note that nearside and offside fittings require a different crane, pillar and fitting kit. It is not always possible to raise the crane boom to its highest position inside a van.