

To the rescue



### Features

- Side or rear door application
- Maintains unhindered access
- Standard 250kg MWL
- Hydraulically powered for a smooth action
- 12v or 24v operation from vehicle battery
- Remote control
- Overload protection
- Compact design maximising floor space
- Low weight of approximately 100kg for minimal impact on vehicle payload
- Easily installed at our own premises, on site or by a vehicle body builder

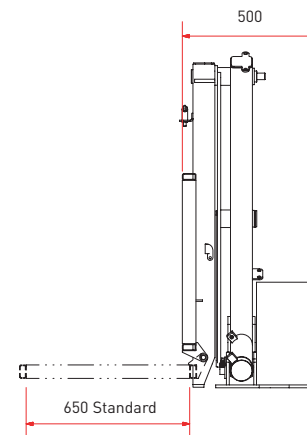
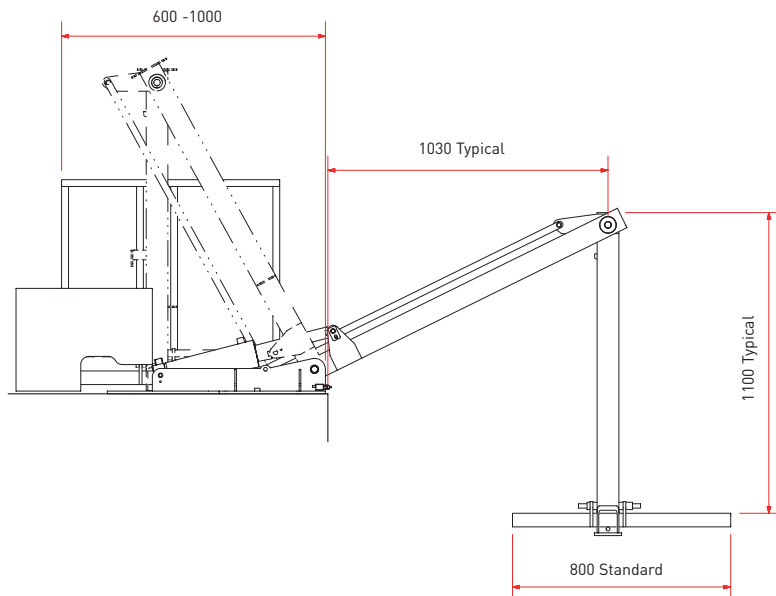
**A lightweight and compact lifting platform for loading vans via either the side or rear doors.**

### Options

- Bespoke platform sizes
- Roll-on tyre carrier with re-grooving clamp
- Radio remote control
- Upgrade to 350kg MWL
- Battery protection

### Applications

- Construction
- Utilities
- Fire & rescue



#### Weights & measurements

Total self weight    100kg

Both side and rear door models have the same standard platform size of 650 x 800mm - this can be increased when fitting to the rear (vehicle width permitting)