

Light on weight, heavy on features



A lightweight and compact lifting platform for loading pickups, Luton and box vans.

Features

- Low self weight maximises payload
- Standard 500kg MWL
- Specifically designed to suit pickup and dropside vehicles
- No under-slung columns, ropes or chains
- Cantilever action means standard tow bars can be fitted
- A wide range of platform materials are available including steel, mesh and aluminium
- A wide range of platform sizes tailored to suit your requirements, including folding platforms

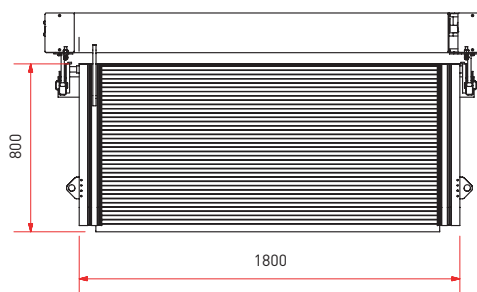
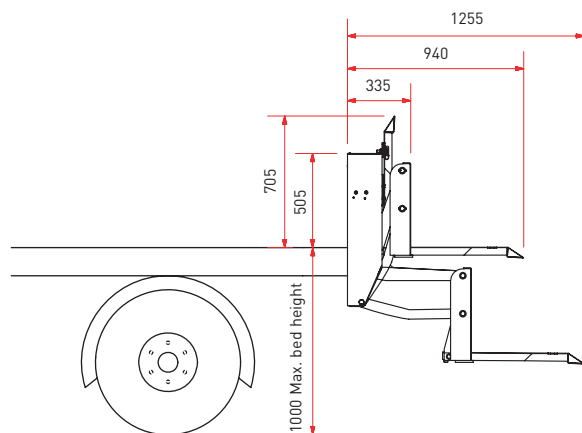


Options

- Radio remote control
- Bespoke platform sizes
- Upgrade up to 550kg MWL
- Folding or drop-in guard frames
- Manual back-up hand pump
- Battery protection

Applications

- Highways
- Construction
- Utilities
- Tyre industry



Platform range

- | | |
|--|-------|
| • 750mm steel platform | 150kg |
| • 800mm galvanised steel mesh platform + 200mm toe | 140kg |
| • 600mm aluminium platform + 200mm toe (illustrated) | 138kg |
| • 800mm aluminium platform + 200mm toe | 143kg |
| • 800mm aluminium platform (including 200mm fold) + 200mm toe | 145kg |
| • 1000mm aluminium platform (including 200mm fold) + 200mm toe | 153kg |