

INTRODUCING A WORLD FIRST...
THE **NEW** HS400/V12 MINICRANE

**Small enough to fit,
strong enough to lift**
(battery included)



The new HS400/V12 Minicrane is a revolution in the small plant market.

At just 790mm wide and 1844mm high in its stowed position, the unit is small enough to fit through a standard doorway, but punches well above its size with a lifting capacity of 630kg.

Ideal for confined sites and even indoor applications thanks to its battery powered, low vibration chassis and compact, heavy duty crane, the HS400/V12 quite literally gets to places nothing else can reach.

Including your bottom line.

PennyHydraulics

t +44 (0) 1246 811475
www.pennyhydraulics.com

Hinowa

t +44 (0) 1962 870954
www.hinowauk.com

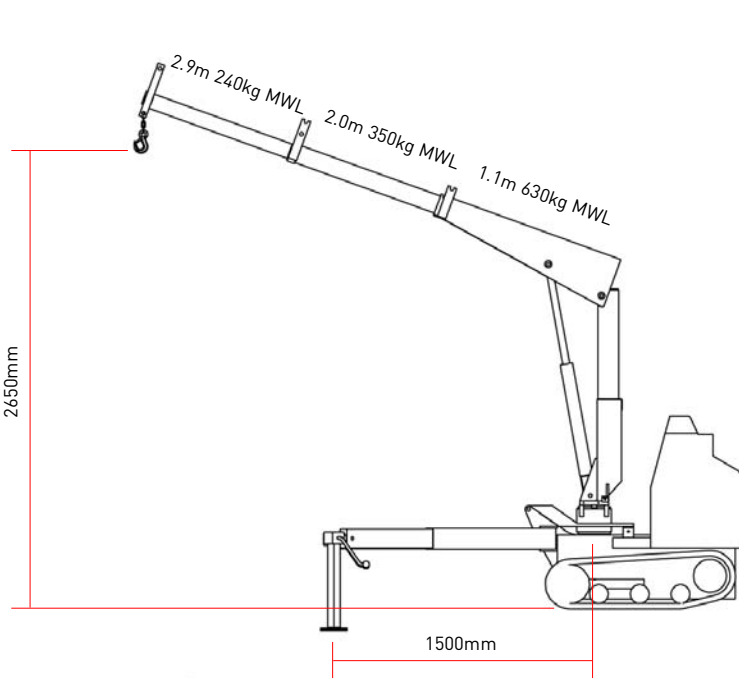
NEW! HS400/V12 MINICRANE

HINOWA HS400 CHASSIS UNIT

No smoke, no fuel, no noise, no pollution, environmentally friendly and easy to operate.

Features

- Asincrono electric motor
- n.4 - 12V 200Ah/6 hour duration battery
- Low/high battery life indicator
- 4,75 kW - 3600 g/1' maximum power
- 3600 g/1' rpm
- Electric starting
- 2x10.5 l/1' pumps capacity
- 110 bar pressure
- 1.7 km/h translation speed
- 12.5 litre hydraulic oil tank
- 790 mm wide
- 1162 mm high
- 1676 mm long



CRANE RATING 1.26 TONNES METRES

PENNY HYDRAULICS V12 CRANE UNIT

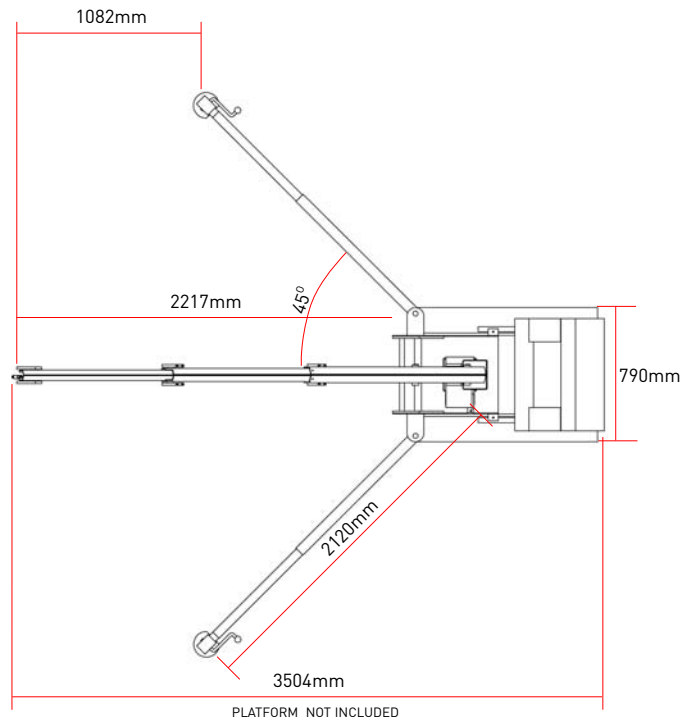
This 630kg capacity crane has three unique safety features - a load limiting device, load limit indicator and remote control operation as standard.

Features

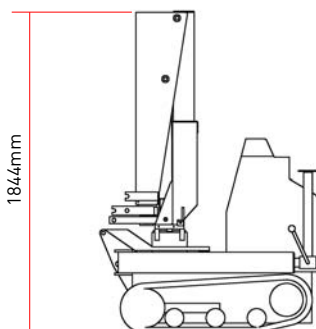
- 240kg to 630kg maximum working load
- Easily installed and dismantled from the chassis unit
- Remote control
- Low crane weight of 290kg including chassis frame and support legs
- Two extensions with hydraulic operation
- Fully controlled 90° hydraulic slewing
- Integrated, fully enclosed oil tank and motor pump unit with easy access for servicing
- Compact design - folds down to king post

Option

- Demountable electric winch



PLATFORM NOT INCLUDED



Penny Hydraulics Ltd | Station Road | Clowne
 Chesterfield | Derbyshire | S43 4AB | UK
 t +44 (0) 1246 811475 | f +44 (0) 1246 810403
 e sales@pennyhydraulics.com | www.pennyhydraulics.com

Hinowa UK Ltd | Alresford Manor
 Alresford Road | Winchester
 Hampshire | SO21 1HL | UK
 t +44 (0) 1962 870954 | f +44 (0) 1962 870956
 e sales@hinowauk.com | www.hinowauk.com