

# The compact crane with a one tonne heart

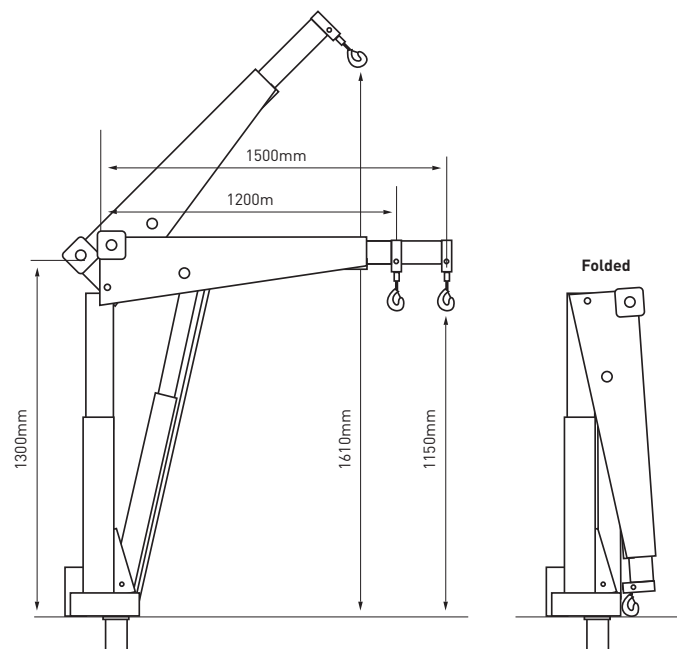
## Features

- Remote control
- Compact design – folds down to king post, maximising floor space
- Integrated, fully enclosed oil tank and motor pump unit with easy access for servicing
- Fully controlled hydraulic slewing
- Easily installed and dismantled
- Low crane weight of approximately 175kg

## Options

- 12 or 24 v operation from vehicle battery
- Hydraulic or electric winch
- Manual or hydraulic stabiliser leg
- Radio remote control
- Additional pillar height

1000kg Maximum Working Load  
at full extension



Weights	
Crane	Support leg
175kg approx	8kg
Rope length – 9m (30') standard	

## Applications

Highways, construction, utilities, builders' merchants, motor re-winders, general



## F1000

The new Swing Lift Foldaway 1000 is a compact, robust and reliable vehicle mounted crane for pick-ups, drop sides, flat beds and box vans, with a 1000kg capacity at the maximum boom extension of 1.5 metres.