

# The column tail lift that thinks it's a cantilever



## EL500

A lightweight and compact lifting platform for loading pickups, Luton and box vans.

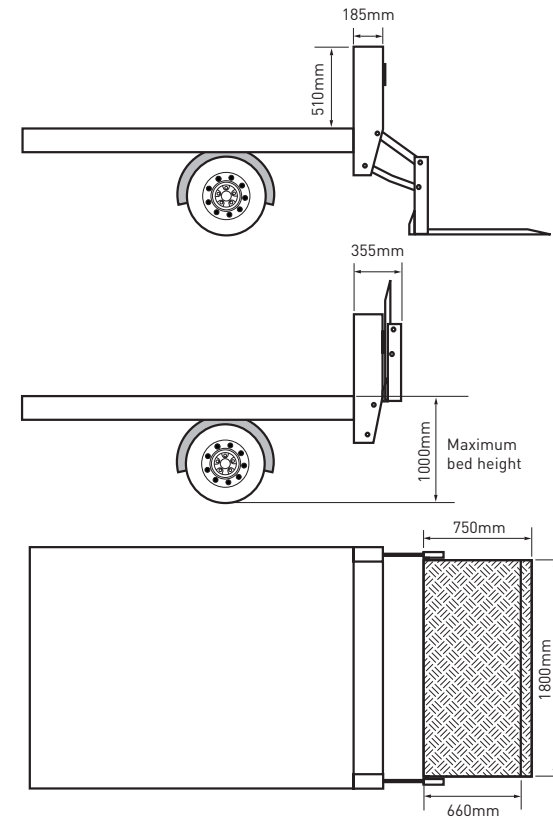


## Features

- Standard 500kg MWL
- Hydraulically powered for a smooth action
- No underslung pillars
- No ropes or chains
- Cantilever action means that standard tow bar can be fitted
- 12v operation from vehicle battery
- Remote control
- Overload protection
- Compact design
- Low weight of approximately 150kg for minimal impact on vehicle payload
- Easily installed at our own premises or by a vehicle body builder

## Options

- Bespoke platform size
- Radio remote control
- Aluminium or mesh steel platform
- Backing plate
- MWL upgrade available – 550kg
- Guard frames



<b>Weight</b>
150kg approx

**Standard sizes quoted**  
(bespoke platform sizes available on application)

## Applications

Highways, construction, utilities, railways, tyre industry